

Herow C106V



we improve technics



Suitable for

- Rack cultivation
- High cultivation
- Row cultivation

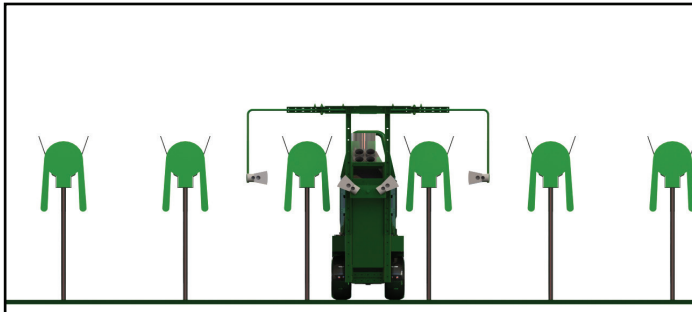
Characteristics

- Water cooled Kubota Stage V engine
- Active air assisted spraying
- Compact machine
- Hydraulic four-wheel drive
- Articulated steering for optimum maneuverability

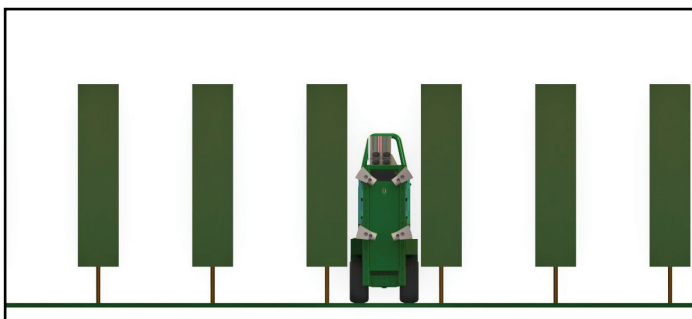
Herow C106V: high-quality crop protection for soft fruit cultivation

The Herow C106V is the most compact self-propelled machine for crop protection in agriculture and horticulture. This manoeuvrable machine is ideal for spraying pesticides. And that with active air assistance for optimal penetration into the crop. Thanks to the smart, narrow design and the central articulated steering, you can easily steer between racks with soft fruit and through orchards. At the same time, the streamlined canopy ensures that the plants do not get caught behind the machine. The result? Healthy and undamaged crops.

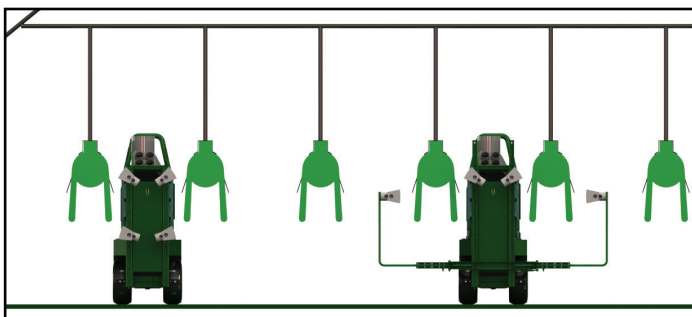
Efficient use of spraying agents



Rack cultivation



High cultivation



Row cultivation (2 options)

Design

Very compact and manoeuvrable: that is what characterizes the HeroW C106V. Thanks to a width of only 56 cm at a height of 130 cm and a width of 76 cm on the ground, the machine moves easily in and out of the rows. This effects in an optimal spraying result at the end of the rows. To further increase maneuverability, the machine has a central articulated steering. As a result, the turning circle has been reduced to just 1.8 metres. Ideal for turning at the end of the row. And the right weight distribution and extra wide tires reduce rutting to a minimum..

Spraying device

With the automatic volume control, setting the right amount of pesticide is a piece of cake. Does the driving speed decrease? The spraying pressure automatically decreases, so that the correct number of liters per hectare is always guaranteed. And thanks to the flow meter in the spray line, it is clear at a glance how many liters are still present in the tank. The active air assistance ensures that the product covers the entire crop optimally. This way you never use too much pesticide: a sustainable and cost-effective solution.

For spraying different crops

The four nozzles can be rotated and are adjustable in height and width. The application rate is easy to control via an electrically operated pressure regulator and section control. Depending on the crop, you can mount different spraying systems for protecting all kinds of crops, such as strawberries, raspberries and blueberries. This makes the HeroW C106V suitable for spraying crops in rack cultivation, high cultivation and row cultivation. An ideal self-propelled vehicle for every agricultural and horticultural company.

Active air assisted spraying

The active air assisted nozzles guarantee optimum spraying results. With the specially designed nozzles, drift is limited and coverage is optimal; the agent spreads throughout the plant. The quality of the airflow and the air volume create a higher air speed, while maintaining the effectiveness of the pesticides.



wdt

we improve technics

Doornhoek 3760
5465 TA Veghel
+31 413 37 91 80

info@windontec.nl
www.widontec.nl

User-friendly and durable



Driver and Controls

Operating the Herow C106V is super easy due to the ergonomic arrangement of control components on a clear dashboard with information display. Engine information, oil level and temperature, the status of driving and spraying and error messages; all data is easy to read. And that in English, Dutch or German. The stepless hydrostatic drive and smooth operation to drive forwards and backwards do the rest to give the driver a satisfied feeling.



Settings C106V

To make the C106V extremely suitable for every user and different crops, almost everything can be set. Via buttons or the computer.

- Automatic spraying agent dispensing regulator (l/ha)
- Driving speed with cruise control
- Spraying pressure manual
- Language (English, Dutch, German)
- Tank level
- Fan (button)
- Water pump (button)
- Section valves on/off per valve (button and software)
- Engine rpm (lever)

Maintenance

Easy to maintain and quickly deployable for spraying pesticides; that characterizes this compact self-propelled vehicle. For example, the air intake system is placed high on top of the machine and is fitted with protective mesh to prevent leaf intake. An air cyclone filter has even been placed in front of the engine's air filter. In addition, the cooling water system has a large, easy-to-clean filter plate for the cooling radiator. The protective plates around the engine are also easily removable for a smooth maintenance process.



wdt

we improve technics

Doornhoek 3760
5465 TA Veghel
+31 413 37 91 80

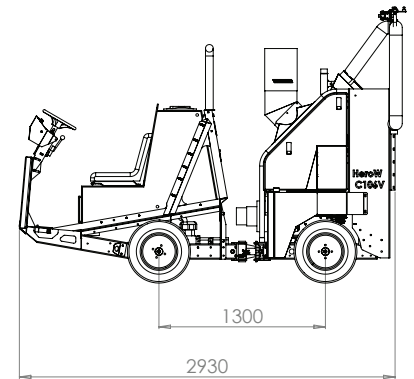
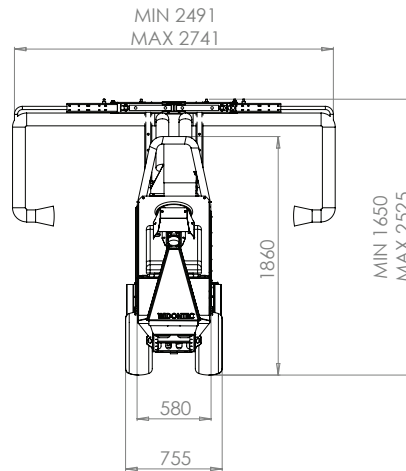
info@windontec.nl
www.widontec.nl



Technical data

Options

- Single row spraying system
- Double row spraying system
- Hydraulic folding spray booms (electrically operated)



The World of WDT

Widontec specializes in developing, adapting and producing machines for companies in industry, agriculture, horticulture and events. We are the regular maintenance partner for a large part of their machinery.



General

Dimensions (lwxhxh)	293 x 76 x 165 cm
Weight empty	675 kg
Diesel engine	Kubota Stage V water cooled
Engine power	18,5 kW @ 2600 rpm
Transmission	Hydrostatically infinitely variable 0 to 6 km/h, 4WD
Working Travel Speed	2 to 5 km/h
Turning radius	1,8 meters
Fuel tank capacity	18.5 liters
Water pump	74 l/min @ 10 bar hydraulically driven
Tank capacity	250 liters
Spray system	Hydraulically driven air blower
Tire size (standard)	20x8.00-10

Dealer



wdt

we improve technics

Doornhoek 3760
5465 TA Veghel
+31 413 37 91 80

info@windontec.nl
www.widontec.nl