

Widontec Harvesting trolley



we improve technics



Options

- Ergonomic working height
- Strong tubular frame with folded stainless steel sheet metal
- Solid shafts
- Wheels with ball bearings
- Air or puncture free tires

Widontec harvesting trolley: A sturdy and solid tool for efficient harvesting

Everything at hand. The Widontec harvesting trolley is the ideal tool for harvesting fruit and vegetables. Compact and yet sufficient space for the boxes and weighing of crops. A storage platform at the bottom offers space for the empty boxes and there is sufficient space on the work platform for full boxes. The work platform optionally has a recessed place for the scale. This makes it easy to stack the boxes immediately after weighing



wdt | widontec



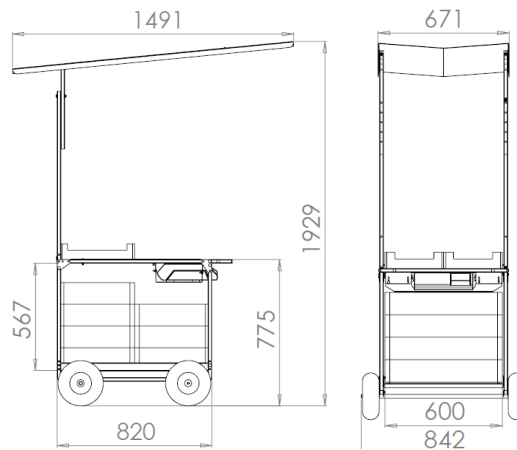
Technical data

Quality

Sturdy and robust, that is what characterizes this harvesting trolley. A sturdy tubular frame with folded stainless steel sheet metal makes the harvesting trolley strong and solid. The solid axles, wheels with ball bearings and air- or puncture-free tires ensure a long service

Option List

- Scale platform
- Roof
- Puncture-free tires



Dimensions

	Without roof	With roof
Gewicht	±25 kg	±33 kg
Length	93 cm	149 cm
Width	84 cm	84 cm
Height	80 cm	193 cm
Platform length	82 cm	
Platform width	60 cm	
Worktop height	78 cm	

The World of WDT

Widontec specializes in developing, adapting and producing machines for companies in industry, agriculture, horticulture and events. We are the regular maintenance partner for a large part of their machinery.



Dealer



wdt

we improve technics

Doornhoek 3760
5465 TA Veghel
+31 413 37 91 80

info@windontec.nl
www.widontec.nl