

# Widontec Transport Trolley



we improve technics



## Characteristics

- Robustly executed
- Extremely suitable for the field
- Pull rod or hand pull rod on both sides of the trolley
- Play-free steering system
- Perfect track following up to 10 trolleys

## Track-following transport trolley for the field

This robust transport trolley is ideal for transport work in the field. The trolleys are stable and perfectly track-following up to 10 trolleys because they are equipped with a special play-free steering system. The trolley is standard equipped with a concrete plywood bottom plate and untreated chassis, but many variations are possible. Look at the options for all possibilities!





# Technical data

## Technical data

Wheels:	18x8.5-8 bkt/4ply (215 x 450 w/h)
Load capacity	1,000 kg
Bodem	Concrete plywood Anti-slip 12 mm **
Standard	Chassis untreated **
Weight	290 kg

\*\* multiple options possible.

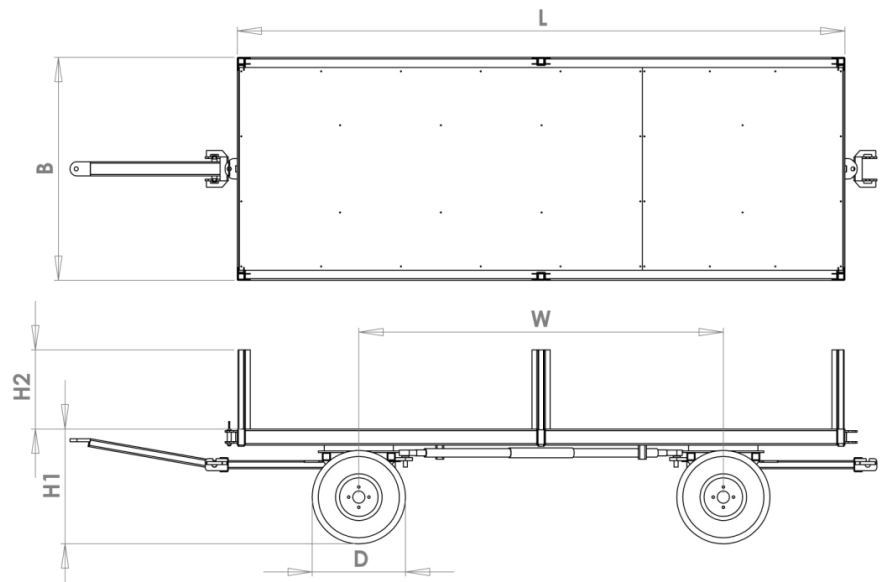


## The World of WDT

Widontec specializes in developing, adapting and producing machines for companies in industry, agriculture, horticulture and events. We are the regular maintenance partner for a large part of their machinery.



## Dealer



## Dimensions

Description	B	L	H1	H2	D	W
TRK 100/300	1000	3000	570	390 (Default)	450	1800
TRK 110/300	1100	3000	570	390 (Default)	450	1800
TRK 125/300	1250	3000	570	390 (Default)	450	1800

## Versions

Default 3 different widths	
01501010	Transport trolley 3 x 1.00 x 0.57m chassis untreated
01501020	Transport trolley 3 x 1.00 x 0.57m chassis untreated
01501030	Transport trolley 3 x 1.00 x 0.57m chassis untreated
Default 3 different widths	
01502010	Transport trolley powder coating
01502020	Transport trolley hot-dip galvanizing
01502030	Checker plate bottom instead of wood
01502040	Upright edge all around
01502050	Stanchion pots 6 pieces (excl. stanchions)
01502060	Stanchion pots 6 pieces (incl. stanchions + chain)
01502070	Stanchion pots 6 pieces (incl. stanchions + wooden partition)
01502080	Tires equipped with anti-puncture (per 4 pieces)
01502090	Pull thistle transport trolley
01502100	Pull thistle hand-drawn transport trolleyx

# wdt

we improve technics

Doornhoek 3760  
5465 TA Veghel  
+31 413 37 91 80

info@windontec.nl  
www.widontec.nl