

Trayplant runner cutter



we improve technics



Characteristics

- Blades are easy to adjust.
- Simple operation and easy to control.
- Available in different widths.



Fig 1. Top cutting blades

Trayplant runner cutting machine: For safe, fast and comfortable cleaning

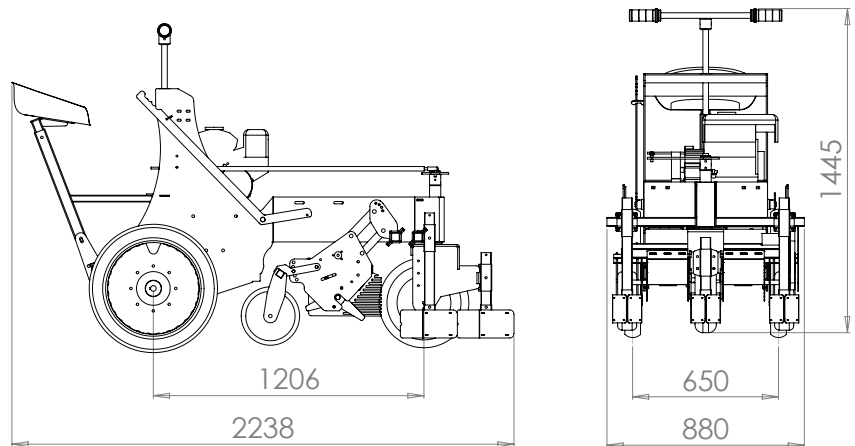
With the help of this robust and easy-to-adjust machine, cutting the runners of strawberry plants in trays is a piece of cake. The machine has four blades that cut the runners of the strawberry plants in the tray field. The blades are adjustable in width for an optimal cutting result. The centering blocks on the front of the machine are interchangeable so that the machine is not dependent on certain path widths. The machine is operated entirely by foot, creating extra safety when the operator steps off the machine. This way you can work safely, quickly and comfortably.



Technical data

Technical data

- Drive: Honda petrol engine
- Wheels and blade shaft hydraulically driven
- Standard path width 150 mm
- 4 blades adjustable in width

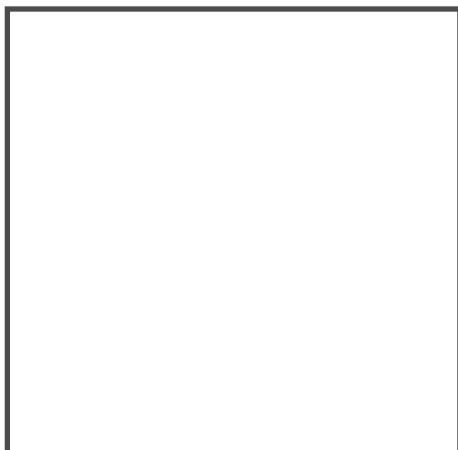


The World of WDT

Widontec specializes in developing, adapting and producing machines for companies in industry, agriculture, horticulture and events. We are the regular maintenance partner for a large part of their machinery.



Dealer



Versions

Standard machine

01801010	Runner cutter for cleaning 2 rows of strawberry plants
Widontec trayplant runner cutter	

Options

01802010	Are the paths narrower than 150mm? Then we have these special narrow wheels to drive well between the trays. (see fig. 3)
Narrow wheels set	
01802050	The machine comes standard with 3 centering blocks in the desired width (depending on your path width). If you have different fields with different path widths, you can order extra centering blocks.
Extra centering blocks 3x	
01802070	To guide the runners even better towards the blades, we can provide the machine with blade covers. (see fig. 2)
Leaf caps set 2 pieces	
01802080	The machine can also be equipped with an top blade to mow the plants. Please note that the side blades and top blade cannot function at the same time. (see fig. 1)
Top cutting blades set 2 pieces	
01802090	A separate tool to queue the trays
Tray Slider	



Fig 2. Leafcaps and blades



Fig 3. Narrow wheels set

wdt

we improve technics

Doornhoek 3760
5465 TA Veghel
+31 413 37 91 80

info@windontec.nl
www.widontec.nl