

Compact trailed sprayer



we improve technics



Kenmerken

- Tank capacity: 500 liters.
- Blower Hardi 37kW, 11,000 m³/h with gear (optional 19,000 m³/h).
- Height and width adjustable and rotatable nozzles.
- PTO pump and blower Hardi.
- Pump performance: 105 l/min.
- Suction filter with valve
- Two electrically operated section valves
- Manually operated pressure regulator and master valve
- Pressure filter and pressure gauge
- Mixing function

Compact trailed sprayer Winner

The compact trailed sprayer Winner by Widontec is designed for spraying in orchards and (covered) strawberry plantations in gutters. The assumption during its design was a small, compact size enabling easy maneuvering between rows and on a narrow field strip. Specially designed nozzles minimize drift and maximize efficiency by directing the spray where it is needed, distributing it over the entire plant.



Exceptional effectiveness



Efficient dosage of the spray agent and better coverage efficiency

The quality of the stream and the amount of generated air mean that its speed is higher without causing waste of spray agent. The droplets are formed at the exit of the nozzle. The air picks up the droplets towards the plant at high speed, and then distributes them thoroughly. By adjusting the position of the nozzles and the air stream, the liquid can be directed efficiently. This leads to perfect results with every application.

Excellent results with strawberries in the gutters

It is possible to spray two (covered) rows in one pass on strawberry plantations in gutters, while the liquid is sprayed efficiently from above and below over the entire plant. The machine is small in size, making it easy to maneuver in narrow aisles between rows. The compact trailed sprayer can also be ordered with a 4-row spray arm. The machine has in this version a boom with hydraulic height adjustment.



Robust and stable

The chassis construction and tank have been designed so that the center of gravity of the machine is low. The chassis is supported on a two-axle frame with wide tires. As a result, the small compact sprayer is very robust and stable, and has little pressure on the ground, what reduces the formation of ruts. The compact design allows a small turning radius.

Trustworthy and simple

Widontec's compact trailed sprayers are thoughtfully designed and easy to use. They satisfy the expectations of modern entrepreneurs.

wdt

we improve technics

Doornhoek 3760
5465 TA Veghel
+31 413 37 91 80

info@windontec.nl
www.widontec.nl

Cost minimization



The unique drive and air supply is Hardi's solution that ensures maximum air efficiency and minimum wear. The drive from the tractor to the blower is directly via a 2-speed gearbox. The highest amount of generated air on the market with the lowest power requirement. An optional plastic suction nozzle prevents the blower from sucking leaves off the ground. This ensures clean air for fluid control.

Optional fluid system kits Winner

Standard plus

The standard plus kit allows to control the main valve from the cab and regulate the spraying efficiency from the tractor with an electrically operated pressure regulator.

Accessories:

- Electrically operated main valve and section valves
- Electrically operated pressure regulator

Digital measurement

This kit allows you to monitor performance and speed while spraying in a row. The efficiency can be regulated from the tractor by means of an electrically operated section valve.

Accessories:

- Electrically operated main valve and section valves
- Electrically operated pressure regulator

Measurement and digital regulation

This system allows the computer to regulate the spray efficiency fully automatically based on a previously entered value.

Accessories:

- Electrically operated main valve and section valves
- Electric/automatically controlled pressure regulator
- Spray computer
- Speed sensor and flowmeter



wdt

we improve technics

Doornhoek 3760
5465 TA Veghel
+31 413 37 91 80

info@windontec.nl
www.widontec.nl



Technical data

Options

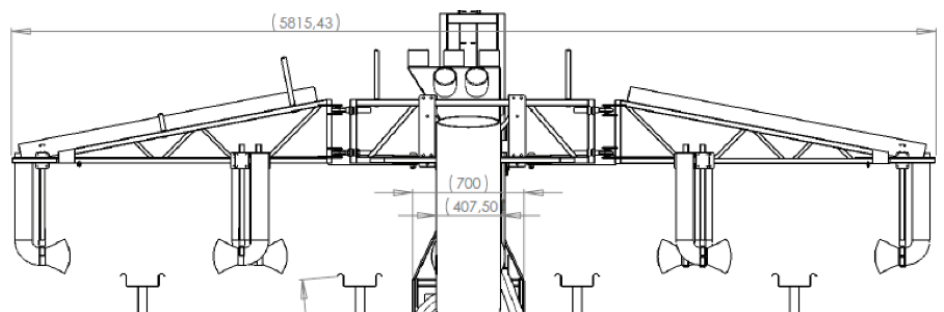
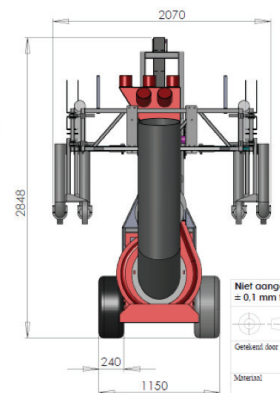
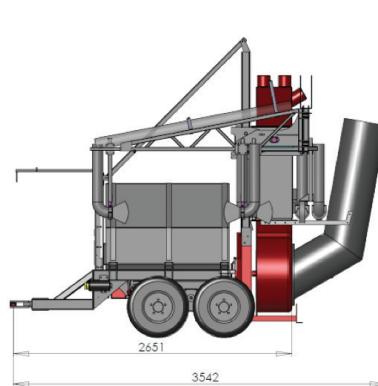
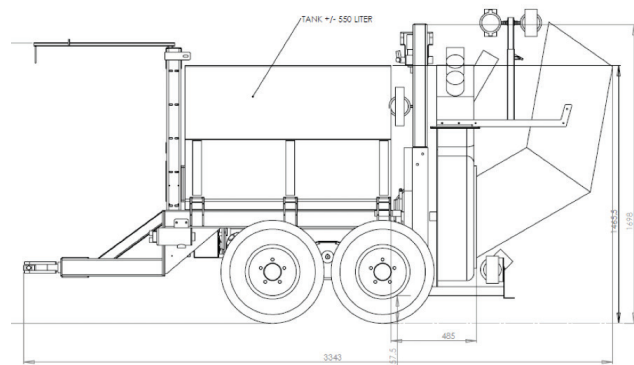
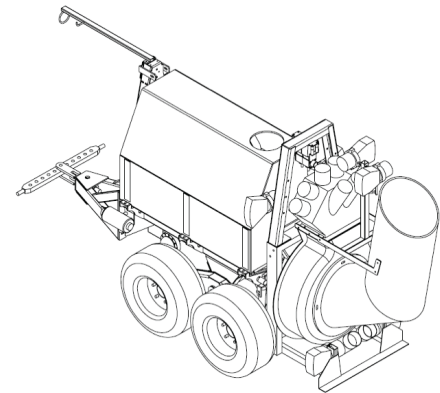
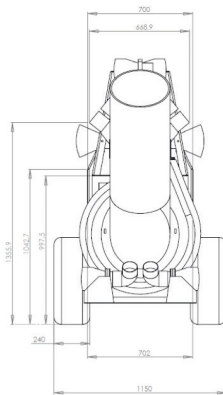
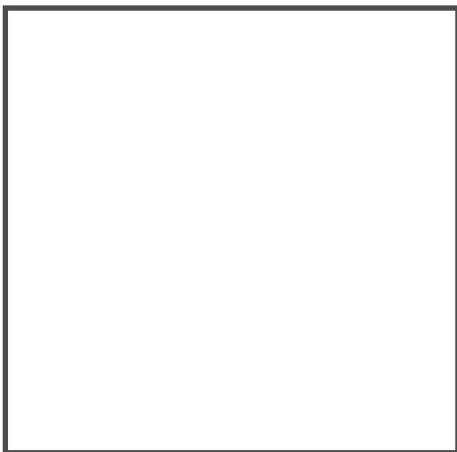
- Standard plus kit
- Digital measurement kit
- Digital measurement and control kit
- Hardi P540 Double blower
- Hydraulic pendulum lock
- Wide wheels
- Wide-angle power take-off shaft

WDT world

The Widontec company specializes in the design, adaptation and production of machines for companies from the industrial, agricultural, horticultural and event industries. As a permanent partner, we look after the maintenance of a large part of the machinery park of these companies.



Dealer



wdt

we improve technics

Doornhoek 3760
5465 TA Veghel
+31 413 37 91 80

info@windontec.nl
www.widontec.nl